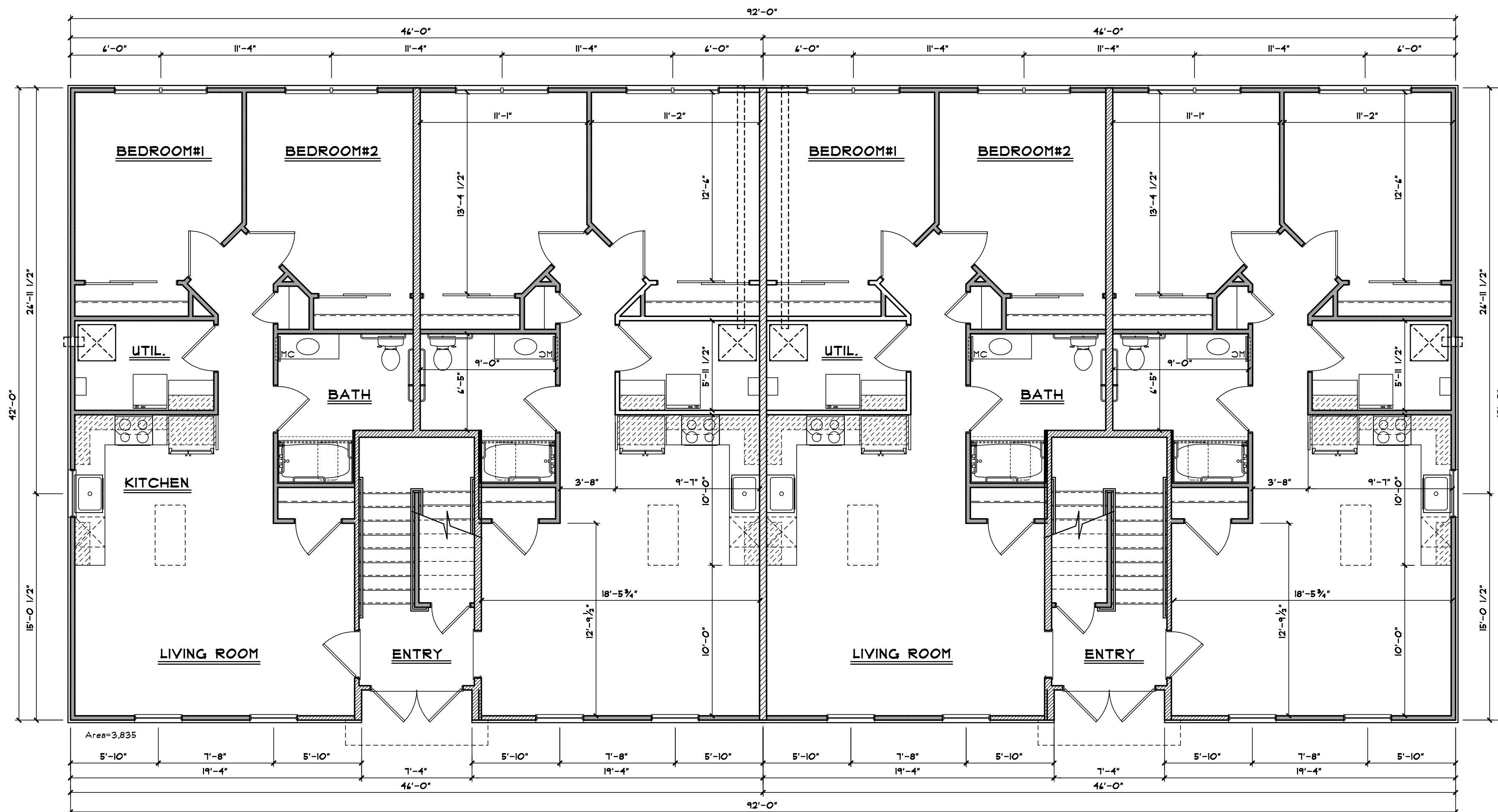


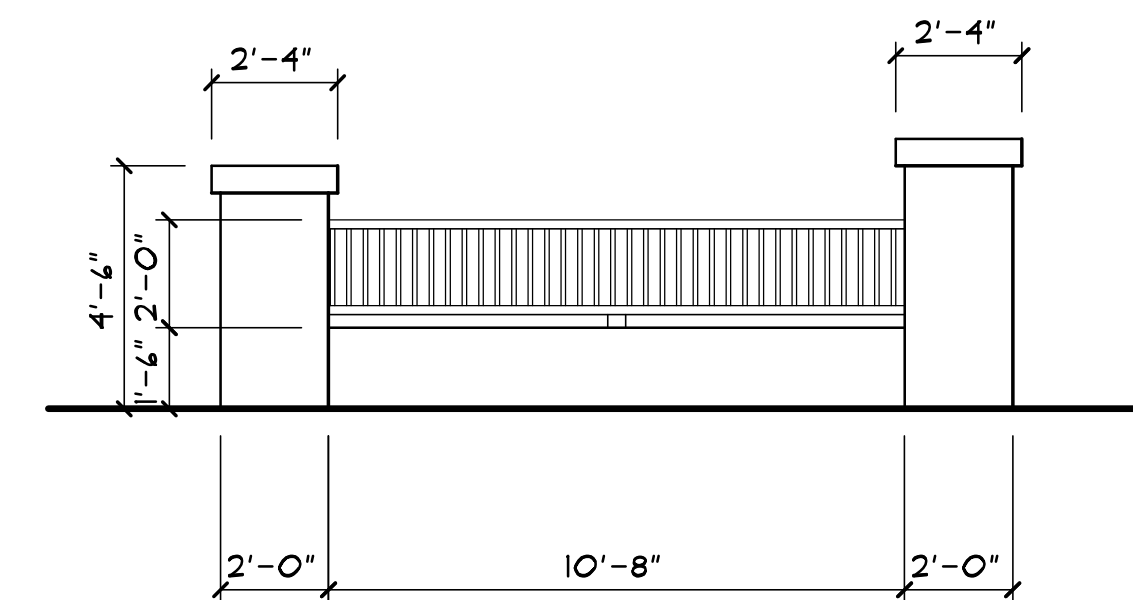
**KEY PLAN OF RESIDENTIAL BUILDING 'A'**

SCALE: 3/16"=1'-0" (FIRST FLOOR)

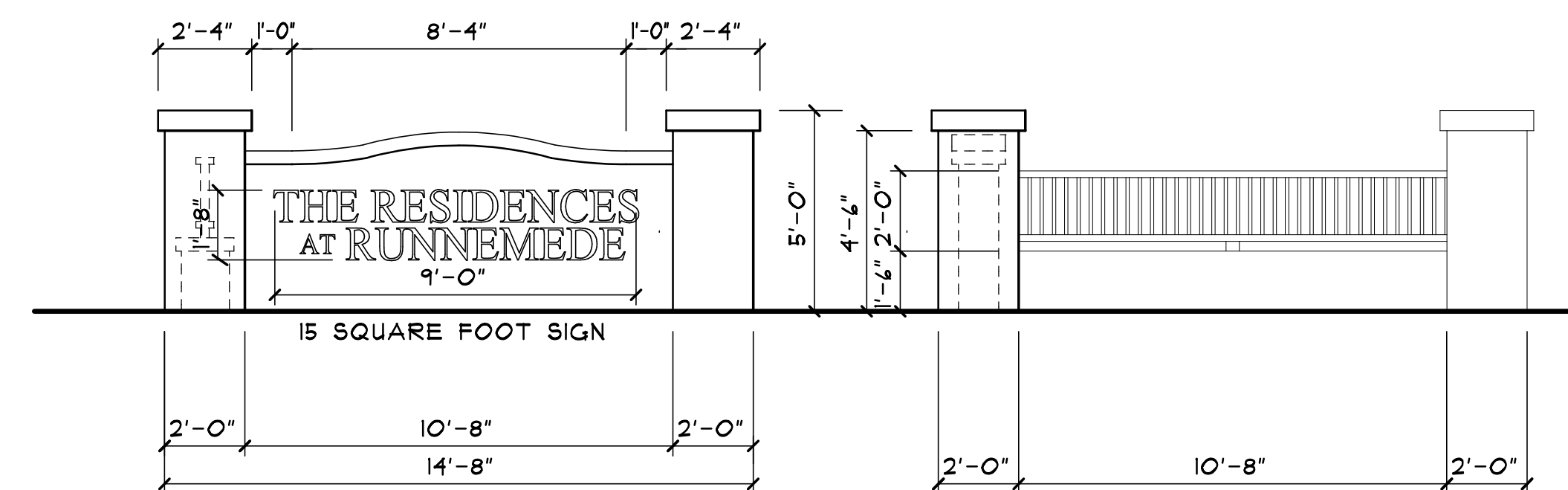


**KEY PLAN OF RESIDENTIAL BUILDING 'B'**

SCALE: 3/16"=1'-0" (FIRST FLOOR)



RIGHT SIDE ENTRY FENCE



LEFT SIDE ENTRY FENCE

**CONCEPTUAL SIGN**

SCALE: 3/8"=1'-0"

SHT.-REV.	DATE

THE INFORMATION CONTAINED HEREIN INCLUDING ALL DRAWINGS, SPECIFICATIONS AND NOTES IS THE PROPERTY OF BISHOP & SMITH ARCHITECTS. IT IS TO BE USED ONLY FOR THE PROJECT AND SITE SPECIFICALLY IDENTIFIED HEREIN. IT IS NOT TO BE REPRODUCED, COPIED, ALTERED OR USED AS A PROTOTYPE WITHOUT THE WRITTEN PERMISSION OF BISHOP & SMITH ARCHITECTS.

**JACK S. SMITH RA**  
 N.J. LICENSE A1-13765  
 DE. LICENSE S5-0007248  
 PA. LICENSE RA-404238  
 134 CHEWS LANDING ROAD  
 LAUREL SPRINGS, NJ 08054  
 GUYTON, MO 64401  
 856-227-1626 FAX 856-227-0733  
 email: bishopsmith@comcast.net  
 RESIDENTIAL • COMMERCIAL

**BISHOP & SMITH**  
 REGISTERED ARCHITECTS

SIGNATURE

SCALE AS NOTED DATE 2-10-20 DRAWN BY MJS

PROJECT COMMERCIAL RESIDENCE  
 LOCATION  
 OWNER

CAD FILE # 14-119

DRAWING NO. PRE-1